

Couplings & Clamps

Camlock Type C Coupling

Features

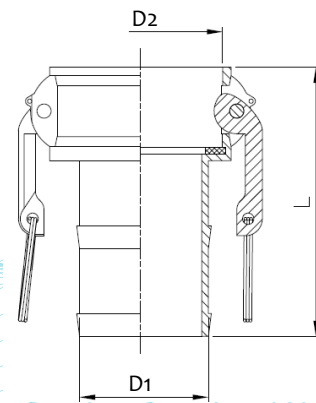
1. Made of stainless steel 1.4408 (CF8M).
2. Camlock Female Coupling to Hose Nipple.
3. Match with A-A-59326D standard fittings.
4. Max. working pressure 10 bar (150 psi).
5. NBR gasket is included.
6. Working temperature according to gasket

material (-20 °C to 100 °C with NBR gasket).



General Dimensions

Size	Dimensions (mm)			Ordering Code
	D2	L	D1	
1/2"	24,3	70	12	015F15-150-L50
3/4"	32,7	80	19	020F20-150-L50
1"	37,7	94	25	025F25-150-L50
1 1/4"	46	105	32	032F32-150-L50
1 1/2"	54	110	38,5	038F38-150-L50
2"	64	125	50,5	051F51-150-L50
2 1/2"	76,8	133	65	063F63-150-L50
3"	92,2	144	76	076F76-150-L50
4"	120,5	153	101	100F100-150-L50



Couplings & Clamps

Camlock Type A Coupling

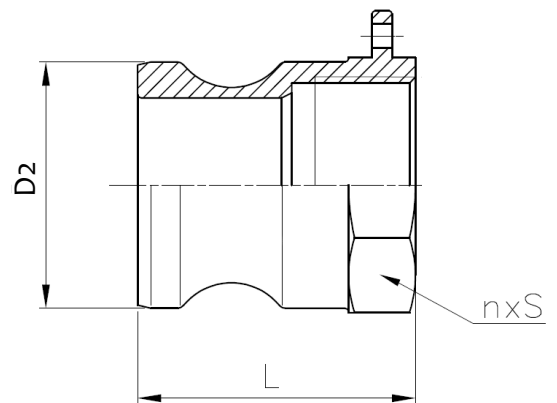
Features

1. Made of stainless steel 1.4408 (CF8M).
2. Camlock Male Coupling to Female ISO 7-1 (EN 10226-1) Thread.
3. Match with A-A-59326D standard fittings.
4. Max. working pressure 10 bar (150 psi).
5. Working temperature according to gasket material (–20 °C to 100 °C with NBR gasket).



General Dimensions

Size	Dimensions (mm)			Ordering Code
	D2	L	n x S	
1/2"	23,8	36	8 x 26	015F15-L31-L50
3/4"	32	35	8 x 34	020F20-L31-L50
1"	36,7	44	8 x 38	025F25-L31-L50
1 1/4"	45,5	51	8 x 48	032F32-L31-L50
1 1/2"	53,5	53	8 x 56	038F38-L31-L50
2"	63	60	10 x 66	051F51-L31-L50
2 1/2"	75,8	76	10 x 81	063F63-L31-L50
3"	91,5	67	12 x 95	076F76-L31-L50
4"	119,5	71	12 x 122	100F100-L31-L50



Couplings & Clamps

RK Safety Clamps

RK Safety Clamps EN 14420-3 / DIN 2817: ALUMINIUM

ND	For hose	OD hose min-max (B2-D3)	Dimensions		Nuts and bolts		Ordering Code
			Height (H)	Width (W)	Quantity	Thread metric	
	mm	mm	mm	mm			
15	13x5	22-24	50	51	4	M6	022024-C10-AL0
20	19x6	30-33	50	63	4	M6	030033-C10-AL0
25	25x6	36-39	50	69	4	M6	036039-C10-AL0
32	32x6	43-46	50	75	4	M6	043046-C10-AL0
40	38x6.5	50-52	50	83	4	M6	050052-C10-AL0
50	50x8	64-67	56	102	4	M6	064067-C10-AL0
50	50x10	69-71	56	102	4	M6	069071-C10-AL0
65	65x7	78-82	74	120	4	M6	078082-C10-AL0
80	75x8	89-93	76	132	4	M6	089093-C10-AL0
80	75x10	94-97	76	132	4	M6	094097-C10-AL0
100	100x8	114-119	120	166	4	M10	114119-C10-AL0
100	100x10	118-122	120	167	4	M10	118122-C10-AL0
125	125x10	143-148	145	210	6	M10	143148-C10-AL0
150	150x10	168-174	180	227	6	M12	168174-C10-AL0
200	200x12	222-229	243	288	8	M12	222229-C10-AL0



Production method: drop forging

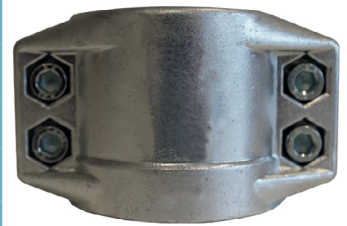
Set of RK safety clamps = one pair of clamps, nuts and bolts included

Bolts: DIN 912/ EN ISO 4762, zinc plated 8.8

Nuts: DIN 934/ EN ISO 4032, zinc plated 8.8

RK Safety Clamps EN 14420-3 / DIN 2817: STAINLESS STEEL

ND	For hose mm	OD hose min-max (B2-D3) mm	Dimensions		Nuts and bolts		Ordering Code
			Height (H) mm	Width (W) mm	Quantity	Thread metric	
15	13x5	22-24	50	51	4	M6	022024-C10-A50
20	19x6	30-33	50	63	4	M6	030033-C10-A50
25	25x6	36-39	50	69	4	M6	036039-C10-A50
32	32x6	43-46	50	76	4	M6	043046-C10-A50
40	38x6.5	50-52	50	83	4	M6	050052-C10-A50
50	50x8	64-67	56	102	4	M8	064067-C10-A50
65	63x8	78-82	74	120	4	M8	078082-C10-A50
80	75x8	89-93	76	132	4	M8	089093-C10-A50
100	100x8	114-119	120	166	4	M10	114119-C10-A50



Production method: drop forging

Set of RK safety clamps = one pair of clamps, nuts and bolts included

Bolts: DIN 912/ EN ISO 4762, stainless steel A.2

Nuts: DIN 934/ EN ISO 4032, stainless steel A.2